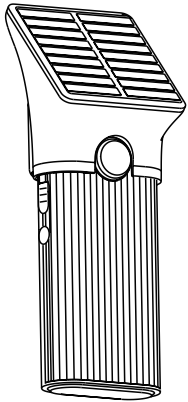


NexSun

2-in-1 Solar Light

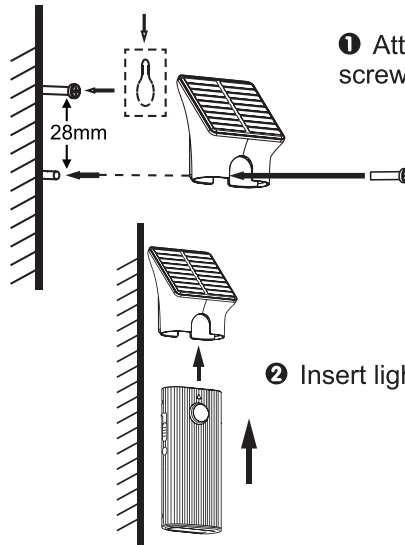
Wall mountable and detachable



Supplied with:
1 x Solar light
and fixings

Installation:

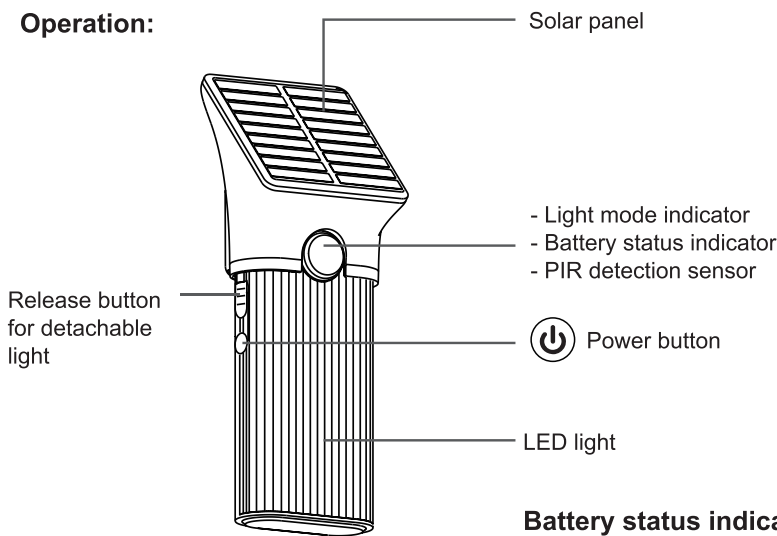
- Find a sunny location to mount the solar light ideally south facing is best.



- 1 Attach the solar panel using the flat screws and raw plugs provided.

- 2 Insert light into solar panel.

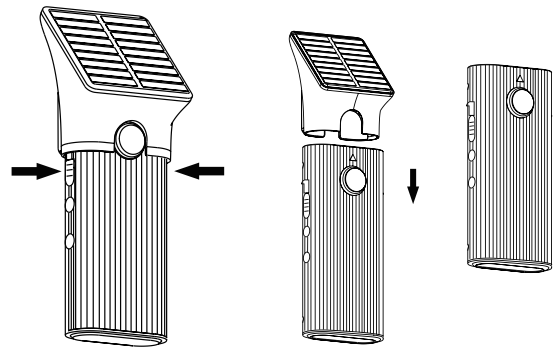
Operation:



Battery status indicator

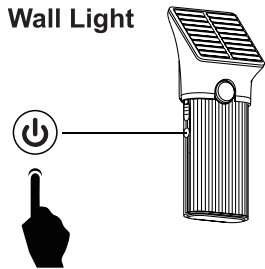
Green: 70% charged
Orange: 30-70% charged
Red: 30% charged

Detaching the light from the solar panel:



- 1 Push and hold the release button on both sides
- 2 Pull light down and detach the light
- 3 Press the power button to change between light modes:
Mode 1: 100 lumens brightness
Mode 2: 200 lumens brightness

Wall Light



Power Button

- 1 Press and hold the power button for 1.5 seconds to turn light on.
- 2 Press the power button to change between these modes.
The light mode indicator will display for 5 seconds red/green/orange to show which mode you are in:

Mode 1 - Red: 50 lumens brightness with PIR motion detection.

Mode 2 - Green: Light will be off until the PIR motion detection sensor is activated to turn the light on and will automatically turn off when sensor stops detecting movement.

Mode 3 - Orange: 200 lumens brightness for 6 hours.



NexSun is a brand of NightSearcher Ltd.

NightSearcher Limited, Unit 4 Applied House, Fitzherbert Spur, Farlington, Portsmouth, Hampshire, PO6 1TT, UK
T: +44 (0)23 9238 9774 E: sales@nightsearcher.co.uk

All NexSun products have a 3 year standard warranty on all manufacturing defects and 2 years on rechargeable batteries from the date of purchase.

Please visit www.nexsun.co.uk for warranty information, proof of purchase is required.



Product weight	280g
Product size	80.26x71.72x225.04mm
NS Part No.	NEXSUN-2IN1